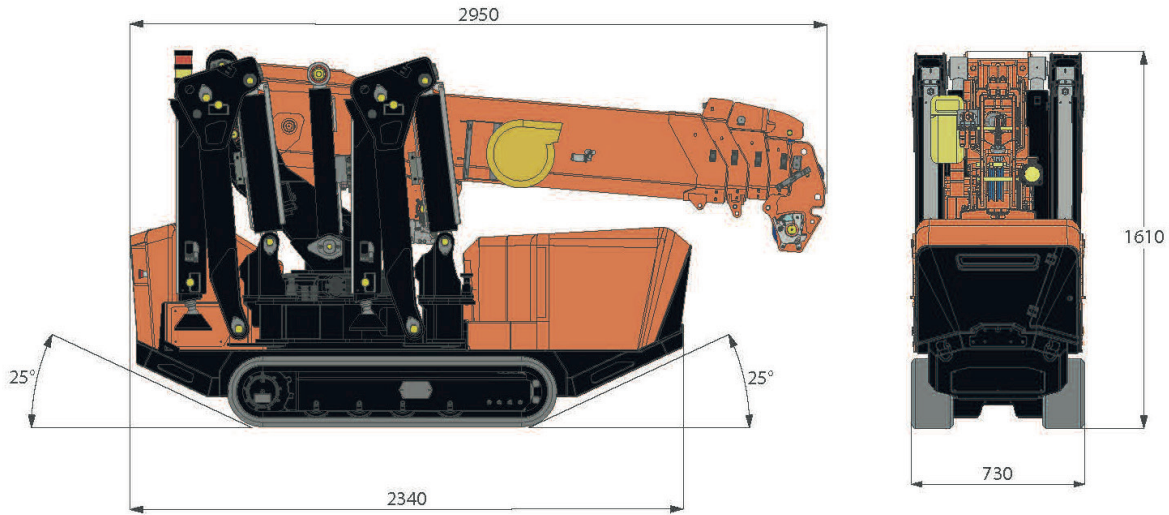


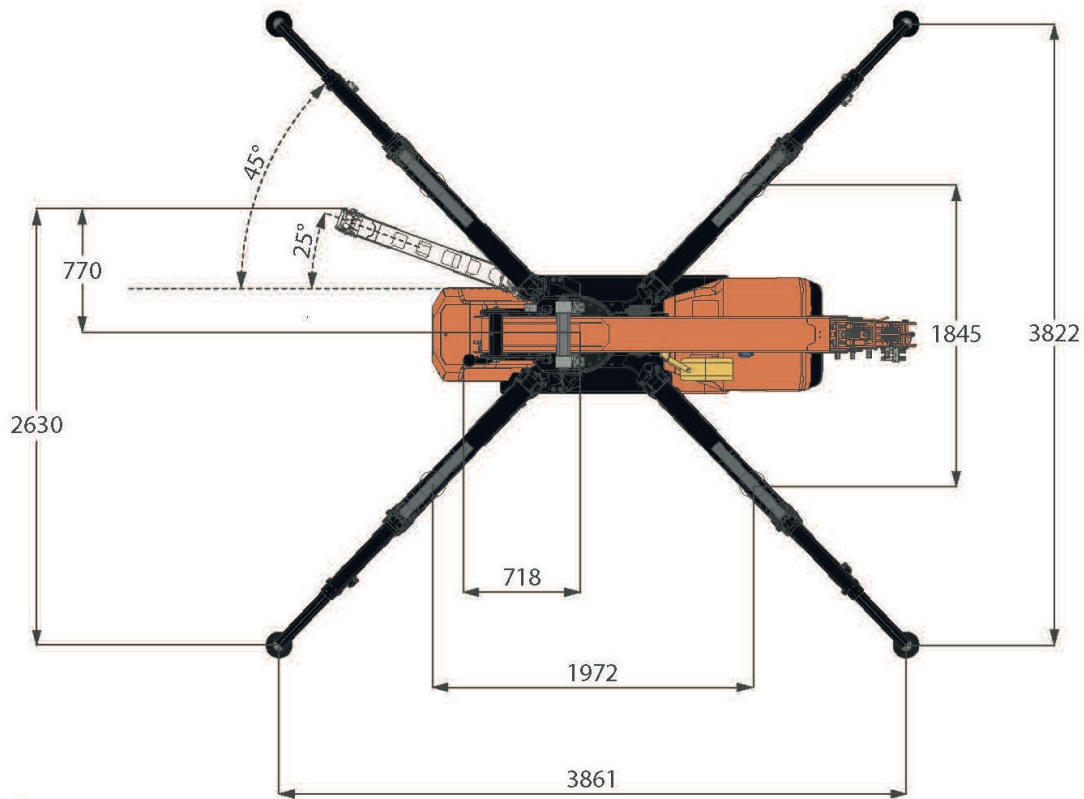
SPX328CL



Gesamtabmessung



STABILITY DIMENSIONS

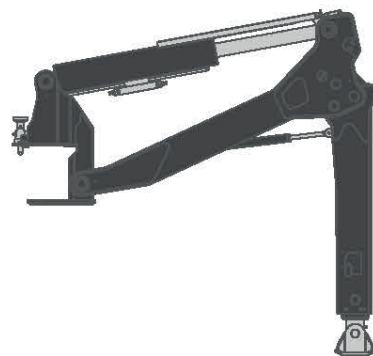


[mm]

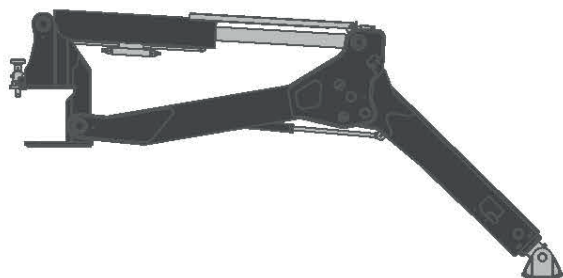
Gesamtabmessung Stützpositionen



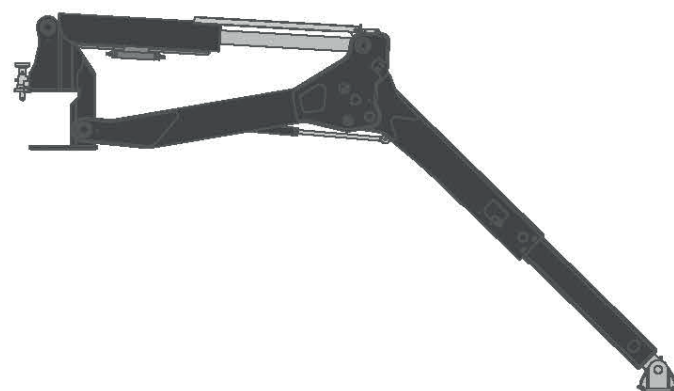
NO EXTENSION



90° EXTENSION



45° EXTENSION



45° EXTENSION WITH OUTRIGGER
COMPLETELY EXTENDED

Allgemeine Informationen



		NAME	DESCRIPTION	U.M.	VALUE
CRANE INFO		OVERALL DIMENSIONS	Height	mm	1.610
			Length		2.950
			Width		730
		BOOM	Length	m	2,5-8,5
			Speed	s	25
		SLEWING	Angle	°	360°
			Speed	rpm	1,2
		LIFTING	Working Angle	°	-4,5°/77°
			Speed	s	25‡
			Max Capacity	kg	2.800
			Max Outrigger Bearing Load	kg	2.100†
			Track load	kg/cm²	0,62
		Travel Speed	Slow	km/h	1,2
			Fast		2,6
			Kickdown		2,9
		Gradeability	°	12°[20%]	
		Working Temperature	°C	-20°/+40°	
		Sound Emissions	db	101	
		Max Wind Load			
		Lifting Class [UNI 4301-1]		A3	


WEIGHTS		CRANE	Total	kg	2.300†
		HOOKBLOCK	Single Fall	kg	27
			Four Fall	kg	32

*: Static Lifting

†: Dry weight

‡: Reference Angle 0-50°

ACCESSORIES		JIB	JIB1000.GX	kg	15
			JIB500.1EX	kg	150
			Manual Extension	kg	14
			Pulley Head	kg	8
		OUTRIGGERS MATS	OM400	kg	17

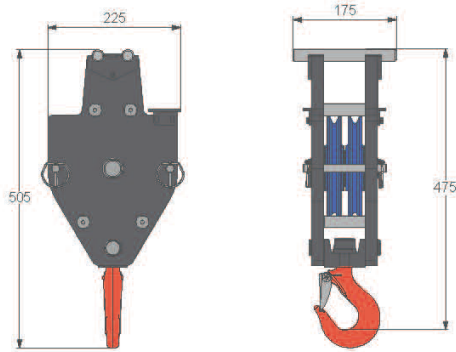
ENGINE		ELECTRIC ENGINE CL	Voltage	V	48
			Power	kW	7

HYDRAULIC SYSTEM		Working Pressure		bar	210		
		Tank Capacity		L	30		
		OIL	Type		Synthetic	ISO 6743-4:HFDU	
					Biodegradable	ISO VG46,48	
		MAIN PUMP CL		Viscosity Grade		VG	46
				Displacement		cm³/rev	15
Max Oil Flow				L/min	25		

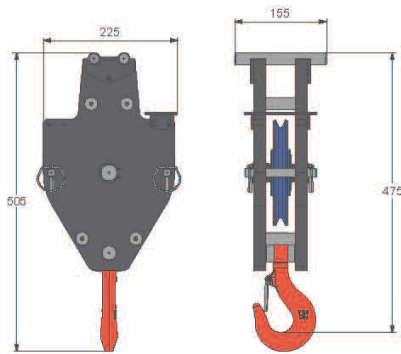
WINCH PERFORMANCE

GEAR WINCH	Layer	Max pull line	Standard rope speed
		kg	m/min
	1	1.000*	38
	2	920*	42
	3	850*	45
	4	790*	49
	5	730*	53
ROPE	Wire rope	Max load	Total length
		kg	m
	19x7 right lang lay Non rotating	2.086	7

Hakenflasche

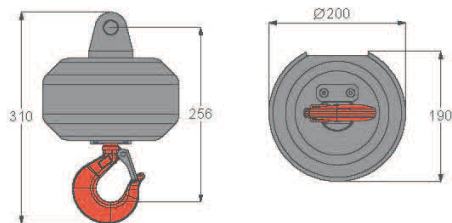


MODEL	2.8 T-D7		Weight (kg)	
			32	
	Block type	Load (kg)	N° of	
Double pulley block	2.800	Sheaves	Lines	
		2	4	



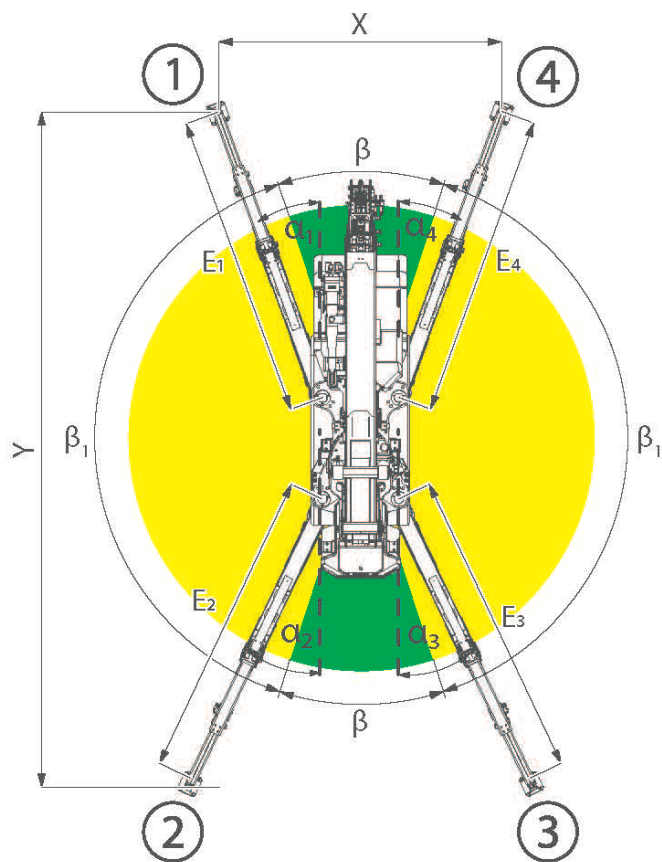
MODEL	1.4 T-D7		Weight (kg)	
			24	
	Block type	Load (kg)	N° of	
Single pulley block	1.400	Sheaves	Lines	
		1	2	

OVERHAUL BALL

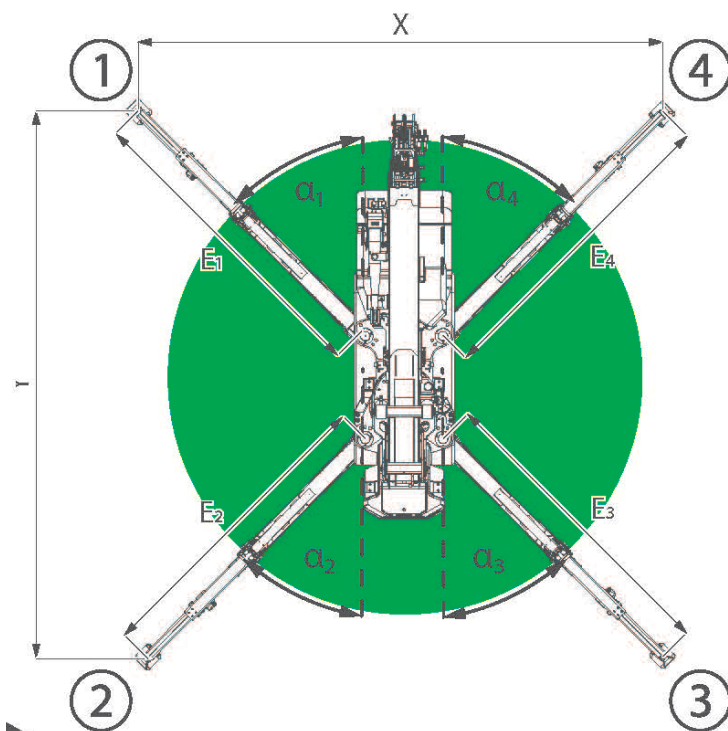


MODEL	Overhaul Ball		Weight (kg)	
			27	
	Block type	Load (kg)	N° of	
Single fall block	1.000*	Sheaves	Lines	
		-	1	

Kranleistung

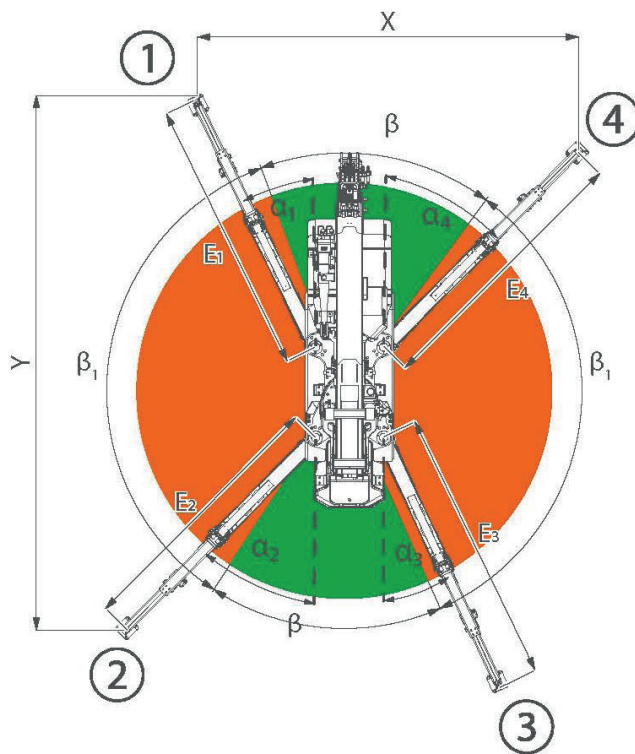


FULL SYMMETRIC STABILITY		
		Main Boom
FOOTPRINT DIMENSIONS	X	2,5 m
	Y	4,9 m
OUTRIGGERS ANGLES	α_1	25°
	α_2	25°
	α_3	25°
	α_4	25°
OUTRIGGERS EXTENSIONS	E_1	2,3 m
	E_2	2,3 m
	E_3	2,3 m
	E_4	2,3 m
	β	36°
	β_1	144°

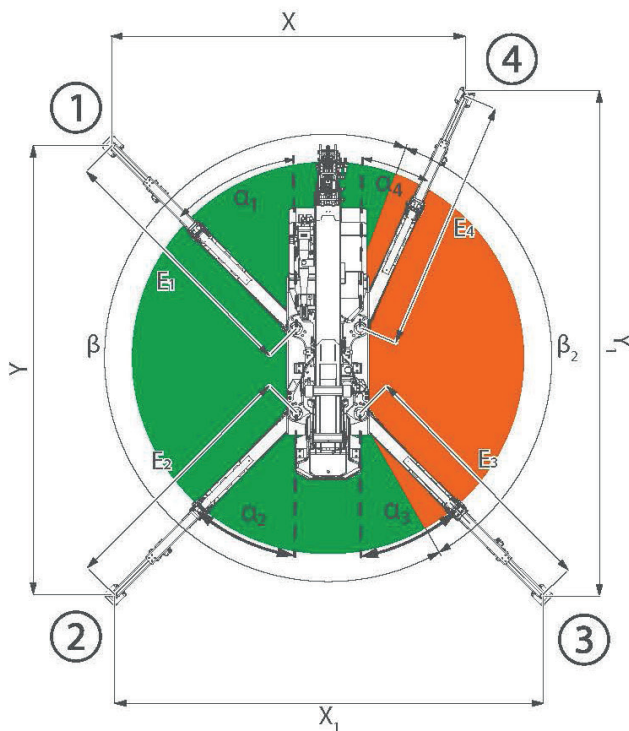


FULL SYMMETRIC STABILITY		
		Main Boom
FOOTPRINT DIMENSIONS	X	3,8 m
	Y	4,0 m
OUTRIGGERS ANGLES	α_1	45°
	α_2	45°
	α_3	45°
	α_4	45°
OUTRIGGERS EXTENSIONS	E_1	2,3 m
	E_2	2,3 m
	E_3	2,3 m
	E_4	2,3 m

Kranleistung

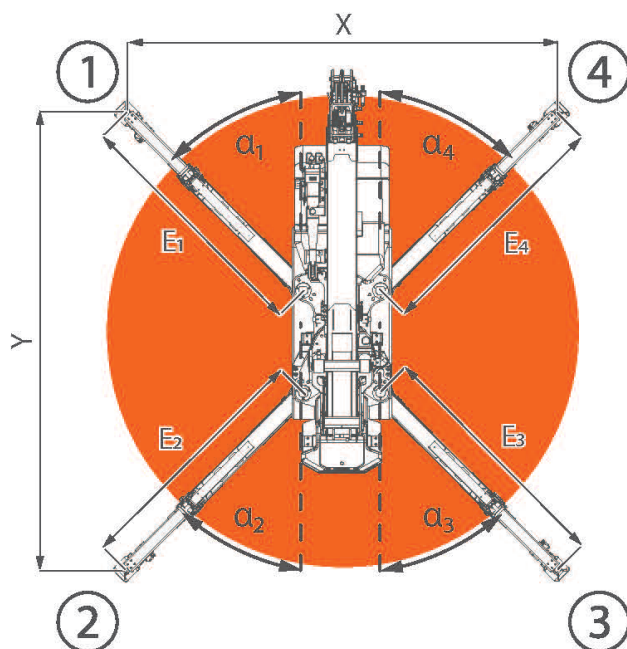


FULL SYMMETRIC STABILITY		
		Main Boom
FOOTPRINT DIMENSIONS	X	3,2 m
	Y	4,5 m
OUTRIGGERS ANGLES	α_1	25°
	α_2	45°
	α_3	25°
	α_4	45°
OUTRIGGERS EXTENSIONS	E_1	2,3 m
	E_2	2,3 m
	E_3	2,3 m
	E_4	2,3 m
	β	57°
	β_1	123°

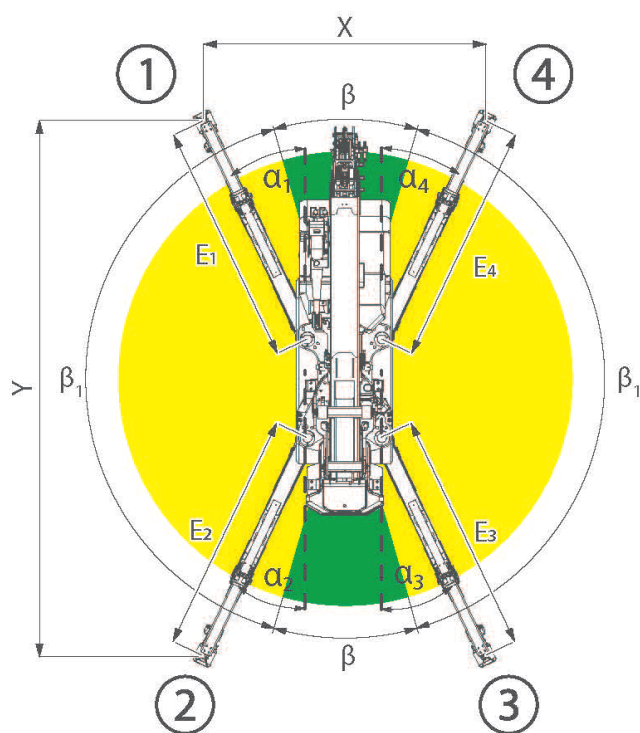


FULL SYMMETRIC STABILITY		
		Main Boom
FOOTPRINT DIMENSIONS	X	3,1 m
	X_1	3,8 m
	Y	4,0 m
	Y_1	4,5 m
OUTRIGGERS ANGLES	α_1	45°
	α_2	45°
	α_3	45°
	α_4	25°
OUTRIGGERS EXTENSIONS	E_1	2,3 m
	E_2	2,3 m
	E_3	2,3 m
	E_4	2,3 m
	β	237°
	β_1	123°

Kranleistung

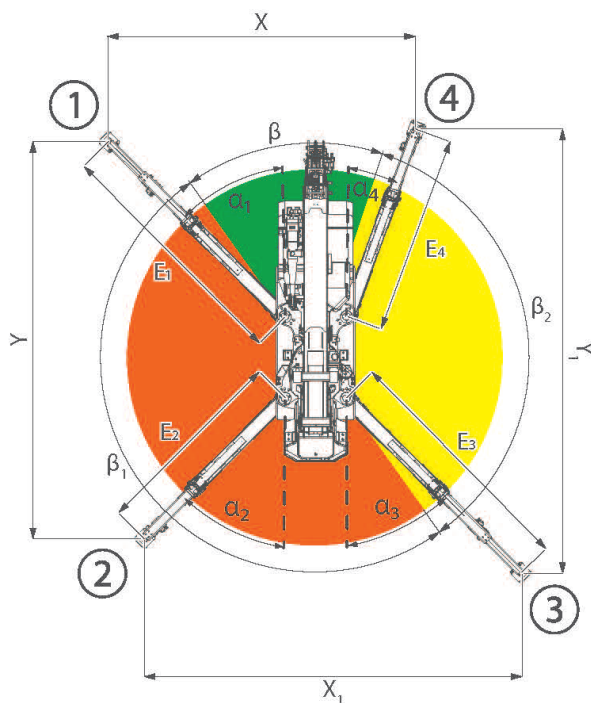
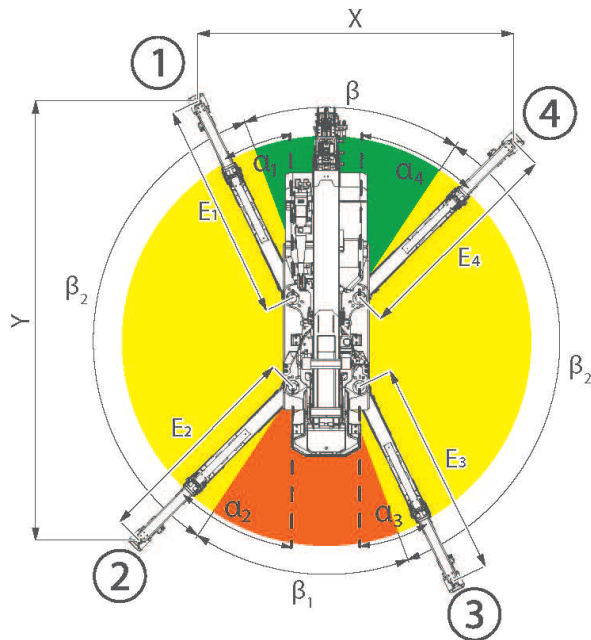


FULL SYMMETRIC STABILITY		
		Main Boom
FOOTPRINT DIMENSIONS	X	3,2 m
	Y	3,4 m
OUTRIGGERS ANGLES	α_1	45°
	α_2	45°
	α_3	45°
	α_4	45°
OUTRIGGERS EXTENSIONS	E_1	1,8 m
	E_2	1,8 m
	E_3	1,8 m
	E_4	1,8 m



FULL SYMMETRIC STABILITY		
		Main Boom
FOOTPRINT DIMENSIONS	X	2,1 m
	Y	4,1 m
OUTRIGGERS ANGLES	α_1	25°
	α_2	25°
	α_3	25°
	α_4	25°
OUTRIGGERS EXTENSIONS	E_1	1,8 m
	E_2	1,8 m
	E_3	1,8 m
	E_4	1,8 m
	β	38°
	β_1	143°

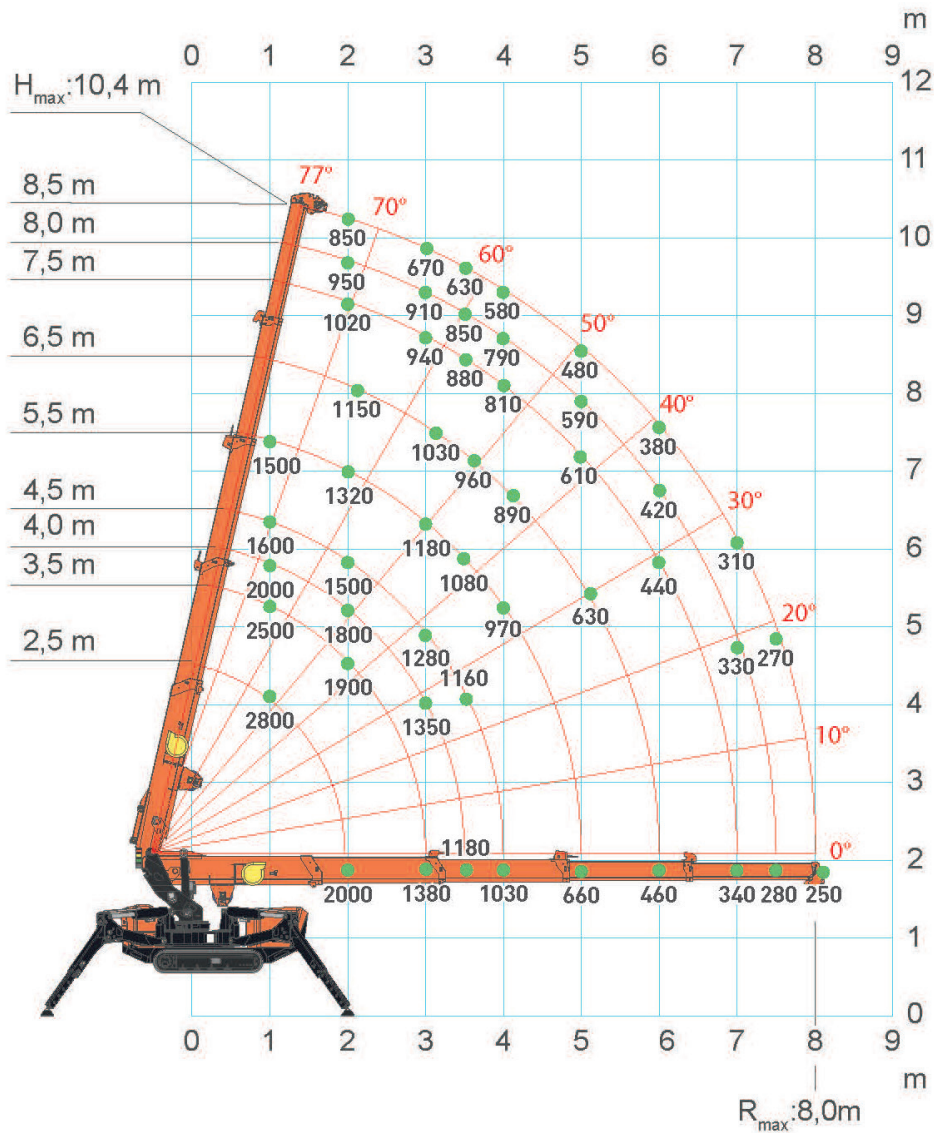
Kranleistung



FULL SYMMETRIC STABILITY		
		Main Boom
FOOTPRINT DIMENSIONS	X	2,7 m
	Y	3,7 m
OUTRIGGERS ANGLES	α_1	25°
	α_2	45°
	α_3	25°
	α_4	45°
OUTRIGGERS EXTENSIONS	E ₁	1,8 m
	E ₂	1,8 m
	E ₃	1,8 m
	E ₄	1,8 m
	β	51°
	β_1	57°
	β_2	126°

FULL SYMMETRIC STABILITY		
		Main Boom
FOOTPRINT DIMENSIONS	X	3,0 m
	X ₁	3,5 m
	Y	3,7 m
	Y ₁	4,0 m
OUTRIGGERS ANGLES	α_1	45°
	α_2	45°
	α_3	45°
	α_4	25°
OUTRIGGERS EXTENSIONS	E ₁	2,3 m
	E ₂	1,8 m
	E ₃	2,3 m
	E ₄	1,8 m
	β	53°
	β_1	181°
	β_2	126°

Hauptarm



[kg]

Hauptarm

		d = 0,85m			d = 1,55m		d = 1,86m
CRANE PERFORMANCE							J7
						J6	
					J5		
J1 - PICK & CARRY							
J0 - No LIFTING CAPACITY							
STABILITY AREA							

Hauptarm

CRANE PERFORMANCE J7									
L(m) →	2,5	3,5	4,0	4,5	5,5	6,5	7,5	8,0	8,5
1,0	2800	2500	2000	1.600	1500				
2,0	2000	1900	1800	1500	1320	1150	1.020	950	850
3,0		1380	1350	1280	1180	1030	940	910	670
3,5			1180	1160	1080	960	880	850	630
4,0				1030	970	890	810	790	580
5,0					660	630	610	590	480
6,0						460	440	420	380
7,0							340	330	310
7,5								280	270
8,0									250
↑R(m)	kg								

LC328_V1020523_C0J7 - LC328_V1020523_C1J7

CRANE PERFORMANCE J6									
L [m] →	2,5	3,5	4,0	4,5	5,5	6,5	7,5	8,0	8,5
1	2800	2500	2000	1600	1600	1400	1100	990	900
2	2000	1800	1750	1500	1320	1150	1020	950	850
3		1240	1200	1160	1120	980	940	910	670
3,5			850	850	850	840	820	810	630
4				650	650	640	630	620	580
5					430	420	410	400	390
6						310	310	300	290
7							230	230	220
7,5								200	200
7,95									170
↑R(m)	kg								

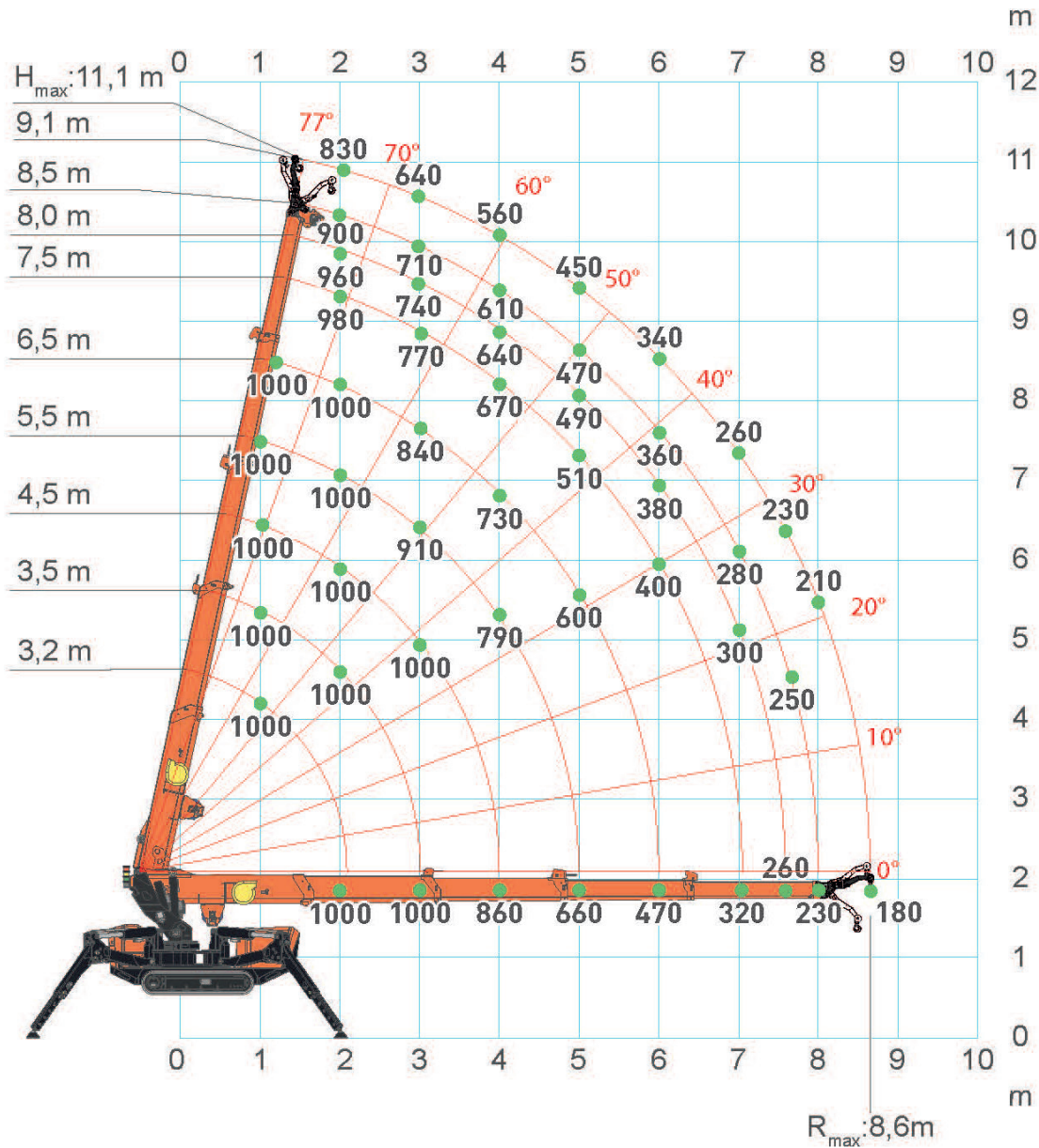
LC328_V1020523_C0J6 - LC328_V1020523_C1J6

Hauptarm

CRANE PERFORMANCE J5													
L [m]→	2,5	3,0	3,5	4,0	4,5	5,0	5,5	6,0	6,5	7,0	7,5	8,0	8,5
1	2800	2600	2500	2000	1600	1600							
2	1400	1100	1000	960	930	910	880	860	830	800	780	760	740
2,5		850	730	670	660	650	640	630	610	600	590	570	560
3			560	500	500	490	490	480	470	460	460	450	440
3,5				390	390	380	380	380	370	370	360	360	350
4					300	300	300	300	300	300	290	290	290
4,5						250	250	250	250	250	250	250	250
5							200	200	200	200	200	200	200
5,5								160	160	160	160	160	160
6									130	130	130	130	130
↑R [m]	kg												


LC328_V1020523_C0J5 - LC328_V1020523_C1J5

SPX328CL - JIB1000.GX

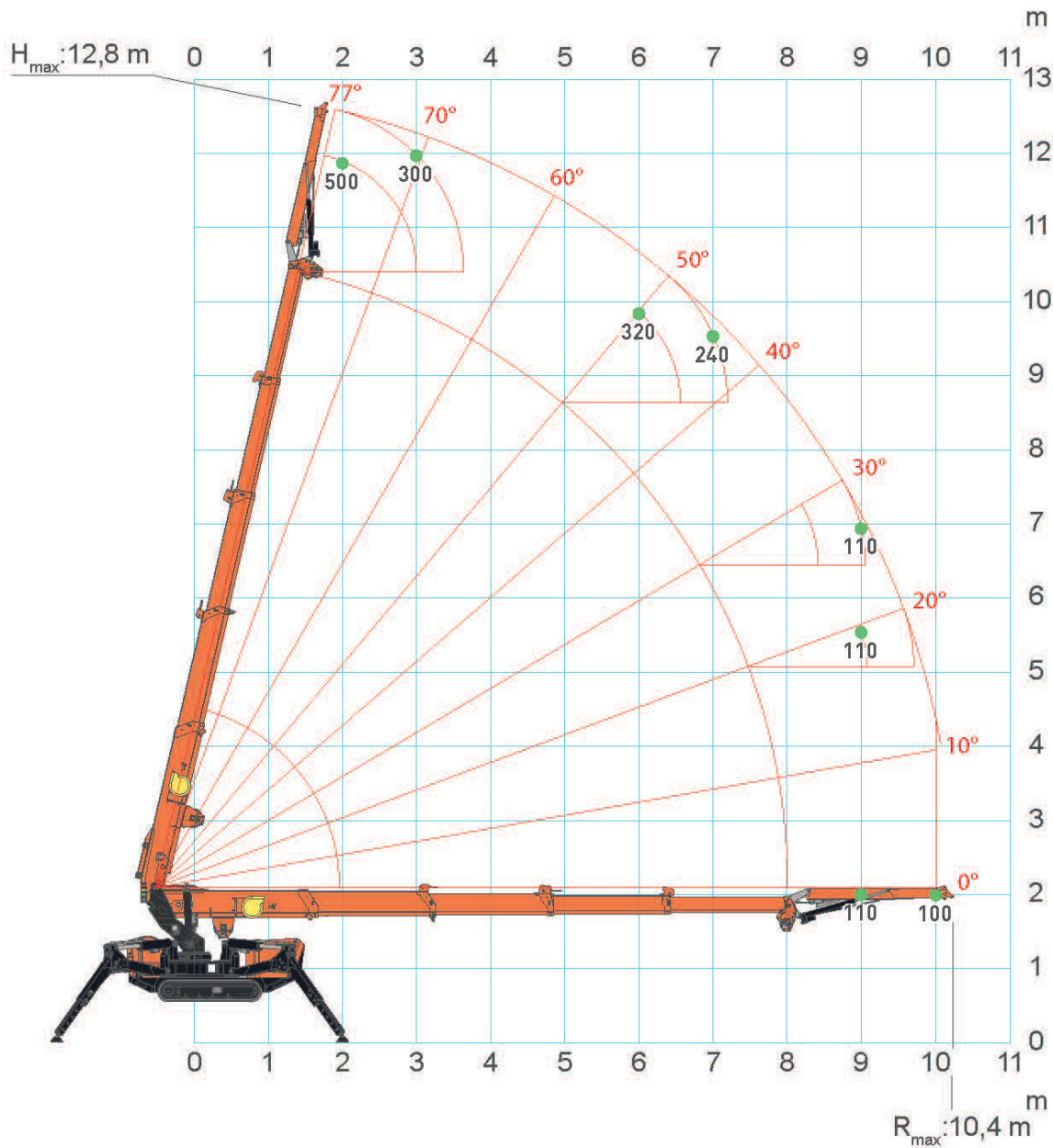


[kg]

SPX328CL - JIB1000.GX


 CRANE PERFORMANCE J7									
L [m] →	3,2	3,5	4,5	5,5	6,5	7,5	8,0	8,5	9,1
1,0	1000	1000	1000	1000	1000				
2,0	1000	1000	1000	1000	1000	980	960	900	830
3,0		1000	1000	910	840	770	740	710	640
4,0			860	790	730	670	640	610	560
5,0				660	600	510	490	470	450
6,0					470	400	380	360	340
7,0						320	300	280	260
7,5							260	250	230
8,0								230	210
8,6									180
↑R [m]	kg								

SPX328CL - JIB500.1EX

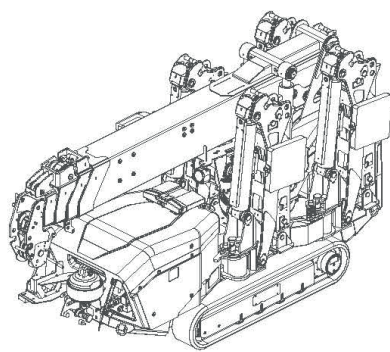


[kg]

SPX328CL - JIB500.1EX

		CRANE PERFORMANCE J7	
L_j [m] →	1,68		2,38
2,0	500		300
3,0	500		300
4,0	500		300
5,0	430		300
6,0	320		300
7,0	240		240
8,0	180		180
9,0	140		140
9,7	110		110
10,0			100
$\uparrow R$ [m]	kg		

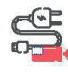

Zubehör






CRANE OPTIONS

-  W700.60
-  W600.125
-  2.8T-D7
-  WT-328
-  OM300.2
-  VAI
-  WUK-01.2
-  ARTIC-OIL-328
ARTIC-OIL-SPECIAL

BATTERY OPT. & CHARGERS

-  BC3-110V60A-328
-  BC-EXT-A

ATTACHMENTS & TOOLS

-  JIB1000GX
-  JIB500.1EX
-  JIB500.1MX

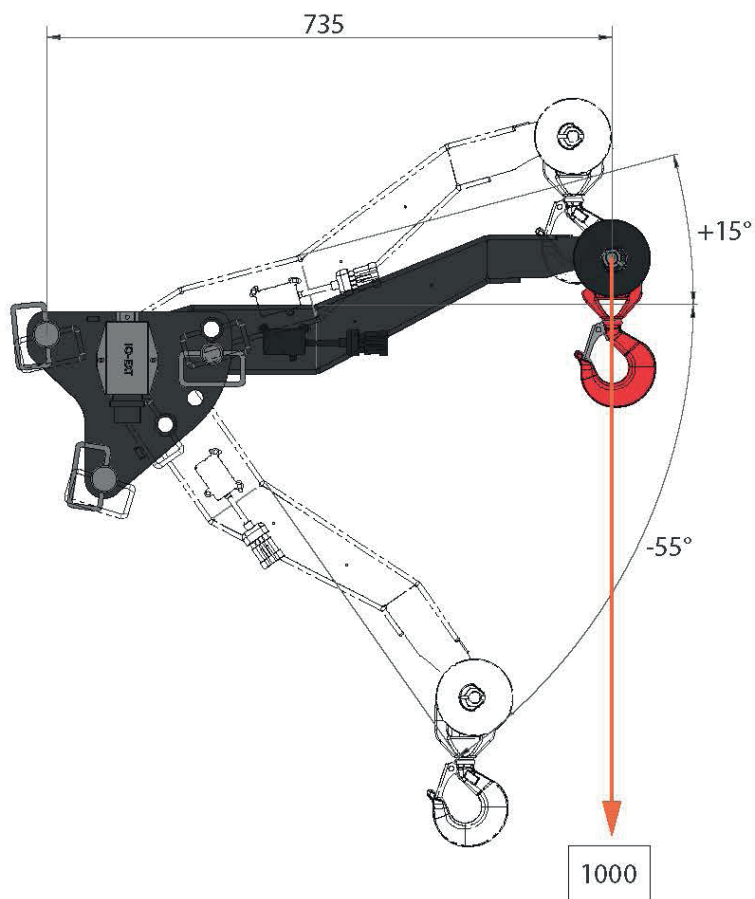
COLOR & STICKERS PERSONALIZATION

	BOOM	COVERS	OUTRIGGERS	CHASSIS+COLUMN	STICKERS
STANDARD:	 RAL2004	 RAL7021	 RAL7021	 RAL7021	 RAL7021
CUSTOM:	<input type="checkbox"/> PC1	<input type="checkbox"/> PC2	<input type="checkbox"/> PC3	<input type="checkbox"/> PC4	<input type="checkbox"/> PC5

WARRANTY EXTENSION

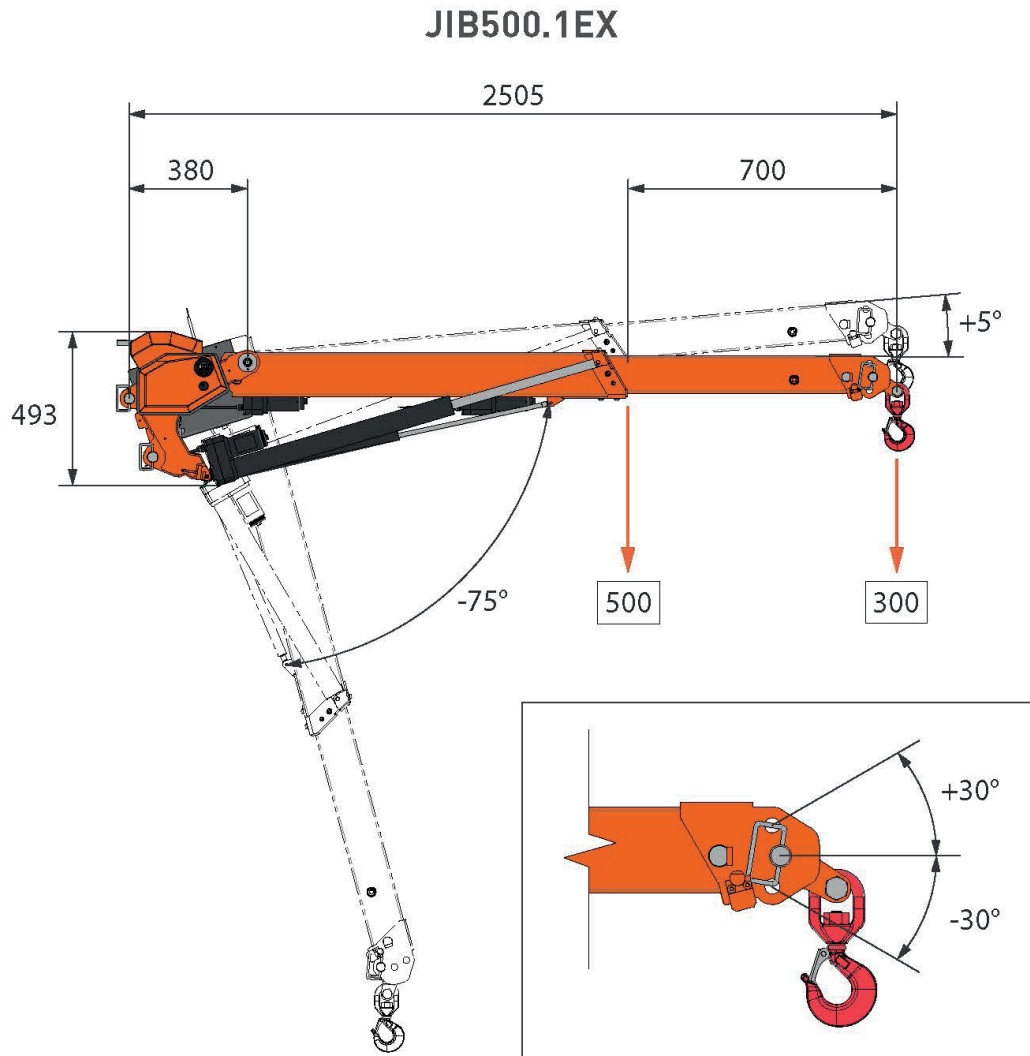
-  2YW-328
-  3YW-328

Zubehör Eigenschaften



	JIB	JIB1000.GX	kg	18
---	-----	------------	----	----

Zubehör Eigenschaften



	JIB	JIB500.1EX	kg	150
	BATTERY	Lithium Battery	A	64
			V	24

[mm]

Symbole



Weight



Engine



Boom Angle



Hydraulic Oil



Crane



Battery



Boom Length



Outrigger Load



Travel Speed



Slewing



Jib



Working Temperature



Gradeability



Outriggers mats



Track Load



Sound Emissions



Max Capacity



Max wind load

REMARKS REFERRING TO LOAD CHART

- The load charts are calculated according to EN 13000:2014.
- For the calculation of the load charts at least a wind speed of 9m/s (33km/h) and regarding the load a sail area of 1m² per ton load and a wind resistance coefficient of 1.2 on the load have been taken into account. For lifting of loads with large sail areas and/or high wind resistance coefficients the maximum wind speed as stated in the load charts has to be reduced.
- Lifting capacities are given in kilograms.
- The weight of the hook blocks and hooks is part of the load and therefore it must be deducted from the lifting capacities.
- Working radii are measured from the slewing centre.
- The lifting capacities given for the telescopic boom apply if the folding jib is removed.
- Subject to modification of lifting capacities.

Wir heben ihre Leistung!



Pfalzlift Haßloch
Langgasse 93, 67454 Haßloch
Telefon: +49 6324 80577
Telefax: +49 6324 5930025
info@pfalzlift.de
www.pfalzlift.de



Alle technischen Angaben unter
Vorbehalt nach Datenstand 08.2019.